

Indirect three-phase meter

CEP 96

Electronic three-phase energy meter with indirect connection for panel mounting



Description

Three-phase, active energy meter, with an indirect connection for 96 x 96 mm panels and 4 quadrants (measures energy consumed and generated)

Other features include:

Application

- Display of energy on any type of panel, for example: cabinets in substations
- Control of costs to obtain the consumption/unit ratio in industrial processes, in order to define the most accurate cost prices

Features

Power supply circuit	230 Vac (-15...+10%)
Consumption	5 V·A
Frequency	50...60 Hz
Metering circuit	
Nominal voltage	300 Vac (phase-neutral) 520 Vac (phase-phase)
Frequency	45..0.65 Hz
Current consumption of the circuit	0.75 V·A
Nominal current	I_n .../ 5 A (insulated input: ITF)
Minimum current	1 % I_n
Maximum current	1.1 I_n
Maximum meter value	999,999.999 kW·h (Minimum resolution of the display 1w.h)
Class/Accuracy	1 % (± 2 digits)
Output transistor	Optoinsulated (collector open) NPN
Maximum switching voltage	24 V dc
Maximum switching current	50 mA
Max. Impulse frequency (configurable)	5 impulse / s
Impulse duration	100 ms on / 100 ms off
Ambient conditions	
Operating temperature	-20 ... +60 °C
Humidity (non-condensing)	5 ... 95 %
Altitude	2000 m
Build features	
Type of box	V0 self-extinguishing plastic
Degree of protection	Fitted unit (frontal): IP 51 Non-fitted unit (sides and rear cover): IP 31
Dimensions	96 x 96 x 63 mm
Weight	400 g
Backlit LCD	display with 4 lines
Safety	
Category III-300 Vac / 520 Vac EN 61010 . Double-insulated electric shock protection class II	
Standards	
IEC 664, VDE 0110, UL 94, IEC 801, IEC 571-1, EN 61000-6-3, EN 61000-6-1, EN 61010-1	

Indirect three-phase meter

CEP 96

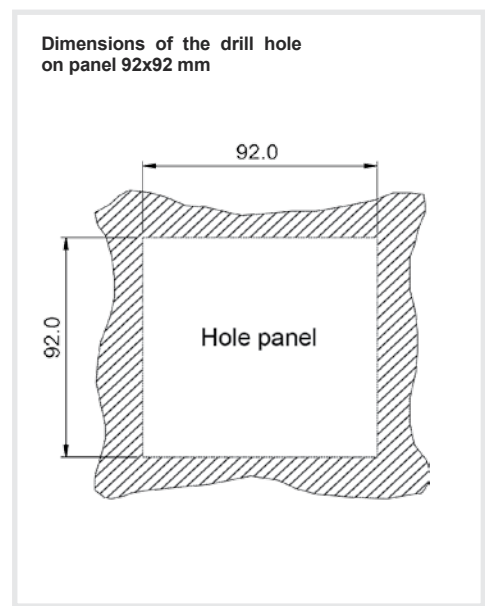
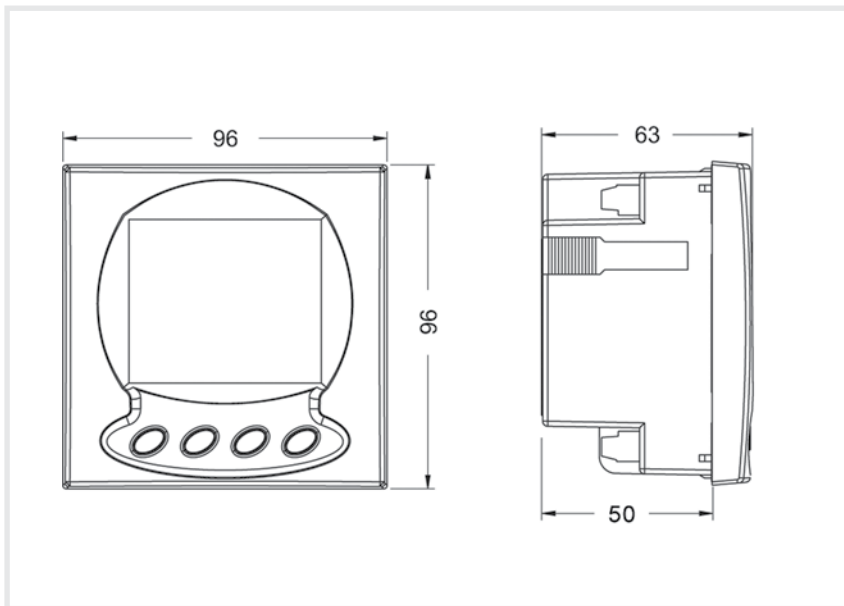
Electronic three-phase energy meter with indirect connection for panel mounting



References

Parameters measured	Input range	Quadrants	Rates	Digital output	DIN Modules	Type	Code
kW-h	100 mA ... 5 A	4	1	1	-	CEP 96 - ITF	M30701

Dimensions



Connections

