

RV-M / RV-T / RV-TS

Voltage detector control relay



Description

Electronic relay for protection and continuous voltage monitoring.

- Protection against voltage surges, triggers at voltages higher than 265 V. Trigger time according to the voltage value less than or equal to:
 - 300 V triggers after 3 s
 - 350 V triggers after 800 ms
 - 400 V triggers after 200 ms
- Protection against voltage drop, triggers at voltages less than 160 V. Fixed trigger time of 300 ms.
- Error in phase sequence (incorrect phase connection order for **RV-T**. Fixed trigger time 1 s.
- The **RV-TS** type does not include phase sequence monitoring.
- Activation by external input (TRIGGER). Trigger time less than or equal to 10 ms.
- Indication LEDs for power supply and voltage error.

Application

The **RV** relay range has been designed to provide protection from disruption to the neutral connection of electrical installations by measuring voltages between phase in neutral. It may be applied to both single phase (type **RV-M**) and three-phase installations **RV-T / RV-TS**).

These voltage monitoring relays detect, according to the type used, incorrect phase sequence, phase loss, as well as voltage surges and drops in a single module size unit suitable for both industrial and modular cabinets. Measurement using true root mean square

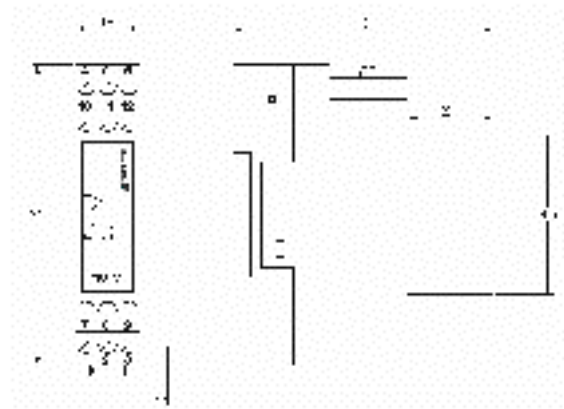
Features

Operation	
Voltage measurement	True root mean square (TRMS)
Relay triggering event	<ul style="list-style-type: none"> • Voltage surge, values above 265 V • Voltage drop, values less than 165 V • Phase sequence error • External input
Trigger time	<ul style="list-style-type: none"> • Voltage surge, between 200 ms and 3 s, according to voltage. • Voltage drop, 300 ms • Phase sequence error, 1 second • External input, less than 10 ms.
Output relays	<ul style="list-style-type: none"> • Transistor output, 24 Vcc • Switched NO/NC contact output
Associated circuit breaker	Contactors or automatic circuit breaker using a coil
Remote Control	NC voltage input, free of voltage
LED indicator	<ul style="list-style-type: none"> • Power, power supply okay (led green) • Disconnection due to relay trigger
Features	
Operation voltage	150 ... 500 V ac between phase in neutral. 50 Hz
Output contacts	250 Vac , 5 A
Operating temperature	- 20 ... + 65 °C
Protection level	Installation category III
Build features	
Fixing	DIN Rail 46722 (EN 50022)
Dimensions	1 module (18x85x73 mm)
Weight	71 g
Degree of protection	IP 20
Standards	
60947IEC 60755-2, IEC 62020, IEC 61008	

RV-M / RV-T / RV-TS

Voltage detector control relay

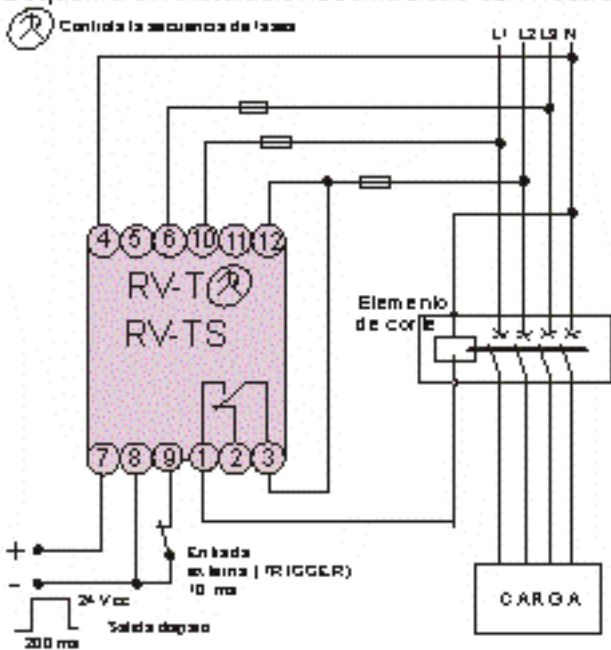
Dimensions



Applicable installation	Voltage surge	Voltage drop	Phase sequence	Type	Code
single phase	X	X		RV-M	P30701
three-phase (4 wire)	X	X	X	RV-T	P30702
three-phase (4 wire)	X	X		RV-TS	P30704

Connections

Esquema en instalaciones trifásicas con neutro



Esquema en instalaciones monofásicas

