

RRM

Overload reclosing relay

**Description**

Self-reclosing electronic relay of motorized circuit breakers. The relays of the **RRM** series can be used to control, send remote signals and for the remote control of the associated motorized circuit breaker (**MT** series).

- The **RRM** relay has the following functions:
 - Motorized circuit breaker control:
 - Automatic reclosing
 - Remote connection/disconnection (non-reclosing)
- Signalling:
 - Local, with LEDs
 - Remote signalling with relay of the reclosing lock (in **RRM-P**)
 - RS-485 Communications (in **RRM-C**)
- Remote control of the automatic switch

The complete reclosing group is composed of the following elements:

- Motorized circuit breaker of the **MT** series (2 or 4 poles)
- Control relay **RRM**.

Applications

The **RRM** relays can be used in all applications that require a self-reclosing motorized circuit breaker after a trigger or with the use of remote control systems. It has been specially designed to work with the circuit breakers of the **MT** series.

Technical features

Circuit-breaker protection	Associated circuit breaker	Motorized circuit breaker MT
	In, No. of poles, thermal curve and cut-out power	Defined by the circuit breaker used
	Circuit breaker control	Motor control contactor
Circuit-breaker reclosure	No. of reclosures	Programmable: 0, 1, 2, 4, 6, 8 times
	Time between reclosures	Programmable: 0.5, 1, 2, 3, 4, 5 min
	Partial counter reset time	30 min
	Safety interlocking	In the circuit breaker. With disconnection lever
Relay signaling	LED	Presence of voltage and no circuit breaker trigger Trigger set off by external order Interlocking after the end of reclosures Reclosing
	Remote signaling (outputs)	RRM-P Interlocking relay RRM-C RS-485 Communications
	Remote Control (inputs)	Entrada libre de potencial de ON / OFF del elemento de corte (OFF externo no reconectable)
Electrical features	Auxiliary power supply	230 Va.c. ($\pm 20\%$) 50 / 60 Hz
	Output contacts	250 Va.c., 1 A
	Operating temperature	-10 ... +50 °C
Construction features	Fixing	DIN rail
	Dimensions	1 module
	Weight	88 g
	Degree of protection	IP 20 Terminals, IP 41 back panel
Standards	IEC 947-2	

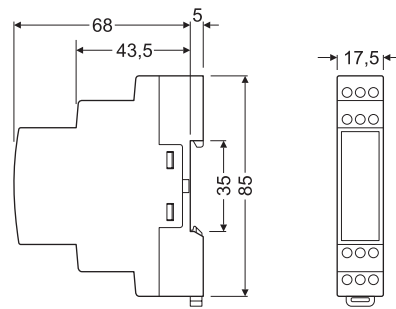
RRM

Overload reclosing relay

References

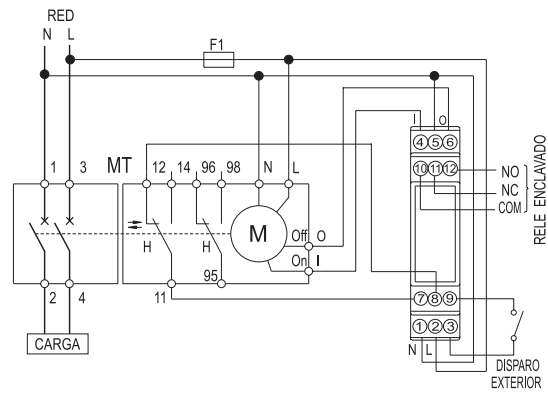
Type	Code	Communications
RRM-P	P25130	-
RRM-C	P25131	RS-485

Dimensions



Connections

RRM-P



RRM-C

